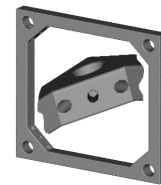




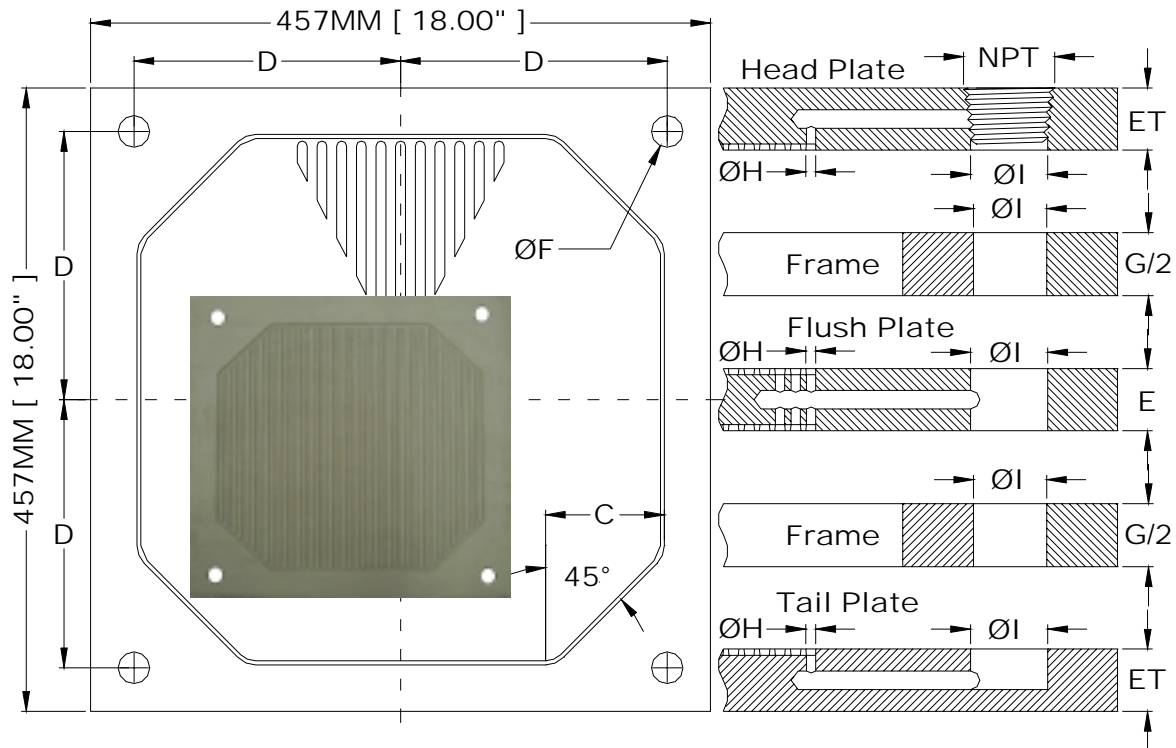
AFILTRATION.COM, INC.

Manufacturing Plastics Mold Specialist Filter Elements Division.
 2001 Zapata Street * Freeport, Texas 77541-3321
 TEL: (979) 239-1700 * FAX: (979) 239-1727
 www.afiltration.com * E-mail: sales@afiltration.com



Flush Plate & Frame Filter Element

FPRFPFO457-D



Polypropylene machine to Flush Plate & Frame filter element with ribs filtration area, Ribs height 4 mm, Approx. 70 % open filtration area, Operating pressure 16 bar, Various materials: please see type key Main Dimensions acc.

Aluminum 6061-T6 machine to Flush Plate & Frame filter element with ribs filtration area, Ribs height 4 mm, Approx. 70 % open filtration area, Operating pressure 16 bar, Various materials: please see type key Main Dimensions acc.

Stainless Steel 304 machine to Flush Plate & Frame filter element with ribs filtration area, Ribs height 4 mm, Approx. 70 % open filtration area, Operating pressure 16 bar, Various materials: please see type key Main Dimensions acc.

V= Volume Area (Cu.Ft)

M= Plate Weight

A= Filtration Area (SQ.Ft)

Dimensions MM

Filter Cake	Support Bossed	Corner Pad	Discharge Holes	Thickness Plate		Feed Hole	Head Plate	Down Porting	Discharge Dia	Plate Weight	Filter Area	Volume Area
G/2	B	C	D	E	ET	F	NPT	H	I	M	A	V
mm	mm	mm	mm	mm	mm	mm	In	mm	mm	Kg	Ft ²	Ft ³
25		120.0	195.00	25	25	25.4	1.00	8.00	25.40	5.1	2.099	0.079
32		120.0	195.00	25	25	25.4	1.00	8.00	25.40	5.1	2.624	0.099
38		120.0	195.00	25	25	25.4	1.00	8.00	25.40	5.1	3.149	0.119
50		120.0	195.00	25	25	25.4	1.00	8.00	25.40	5.1	4.198	0.158

Dimensions Inch

Filter Cake	Support Bossed	Corner Pad	Discharge Holes	Thickness Plate		Feed Hole	Head Plate	Down Porting	Discharge Dia	Plate Weight	Filter Area	Volume Area
G/2	B	C	D	E	ET	F	NPT	H	I	M	A	V
Inch	Inch	Inch	Inch	Inch	Inch	Inch	Inch	Inch	Inch	lbs	Ft ²	Ft ³
1"		4.724	7.677	1.000	1.000	1.000	1.00	0.315	1.000	11.3	2.099	0.079
1 1/4"		4.724	7.677	1.000	1.000	1.000	1.00	0.315	1.000	11.3	2.624	0.099
1 1/2"		4.724	7.677	1.000	1.000	1.000	1.00	0.315	1.000	11.3	3.149	0.119
2"		4.724	7.677	1.000	1.000	1.000	1.00	0.315	1.000	11.3	4.198	0.158