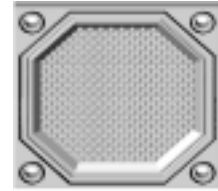




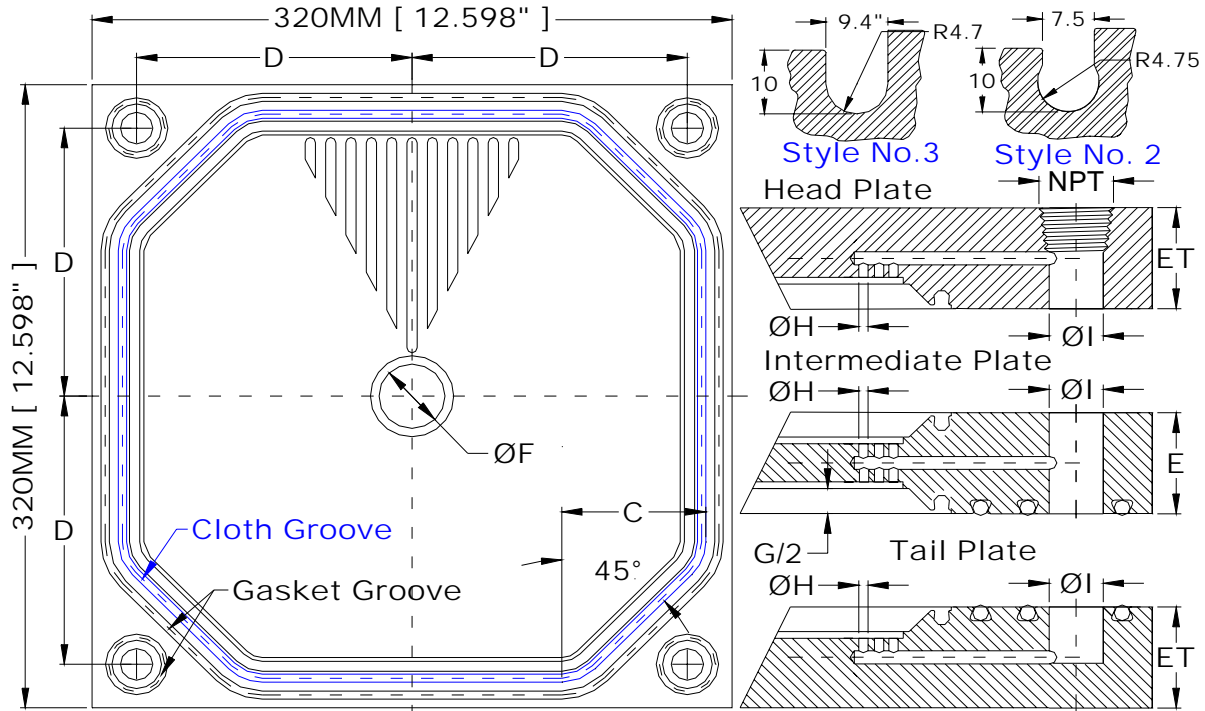
# AFILTRATION.COM, INC.

Manufacturing Plastics Mold Specialist Filter Elements Division.  
 2001 Zapata Street \* Freeport, Texas 77541-3321  
 TEL: (979) 239-1700 \* FAX: (979) 239-1727  
 www.afiltration.com \* E-mail: sales@afiltration.com



## (CGR) Cloth & Gasket Chamber Plate Filter Element

K0320-CGR-16-S0



Polypropylene molded chamber filter element with piped filtration area, Pip height 4 mm, pip diameter 8 mm, Approx. 68 % open filtration area, Operating pressure 16 bar, Various materials: please see type key Main Dimensions acc.

Aluminum 6061-T6 machine to chamber filter element with ribs filtration area, Ribs height 4 mm, Approx. 68 % open filtration area, Operating pressure 16 bar, Various materials: please see type key Main Dimensions acc.

V= Volume Area (Cu.Ft)

M= Plate Weight

A= Filtration Area (SQ.Ft)

### Dimensions MM

Filter Cake	Support Bossed	Corner Pad	Discharge Holes	Thickness Plate		Feed Hole	Head Plate	Down Porting	Discharge Dia	Plate Weight	Filter Area	Volume Area
G/2	B	C	D	E	ET	F	NPT	H	I	M	A	V
mm	mm	mm	mm	mm	mm	mm	In	mm	mm	Kg	Ft <sup>2</sup>	Ft <sup>3</sup>
15		98.0	124.00	35	35	50.80	0.75	6.35	19.05	4.3	1.023	0.023
20		93.0	124.00	40	40	50.80	0.75	6.35	19.05	4.5	1.066	0.031
25		88.0	124.00	45	45	50.80	0.75	6.35	19.05	4.8	1.098	0.040
30		83.0	124.00	50	50	50.80	0.75	6.35	19.05	5.0	1.130	0.048
32		81.0	124.00	52	52	50.80	0.75	6.35	19.05	5.1	1.152	0.051
38		75.0	124.00	57	57	50.80	0.75	6.35	19.05	5.4	1.184	0.061

### Dimensions Inch

Filter Cake	Support Bossed	Corner Pad	Discharge Holes	Thickness Plate		Feed Hole	Head Plate	Down Porting	Discharge Dia	Plate Weight	Filter Area	Volume Area
G/2	B	C	D	E	ET	F	NPT	H	I	M	A	V
Inch	Inch	Inch	Inch	Inch	Inch	Inch	Inch	Inch	Inch	lbs	Ft <sup>2</sup>	Ft <sup>3</sup>
5/8"		3.858	4.882	1.378	1.378	2.000	0.75	0.250	0.75	9.5	1.023	0.023
3/4"		3.661	4.882	1.575	1.575	2.000	0.75	0.250	0.75	10.0	1.066	0.031
1"		3.465	4.882	1.772	1.772	2.000	0.75	0.250	0.75	10.5	1.098	0.040
1 3/16"		3.268	4.882	1.969	1.969	2.000	0.75	0.250	0.75	11.0	1.130	0.048
1 1/4"		3.189	4.882	2.047	2.047	2.000	0.75	0.250	0.75	11.2	1.152	0.051
1 1/2"		2.953	4.882	2.244	2.244	2.000	0.75	0.250	0.75	12.0	1.184	0.061