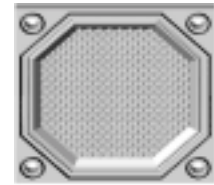




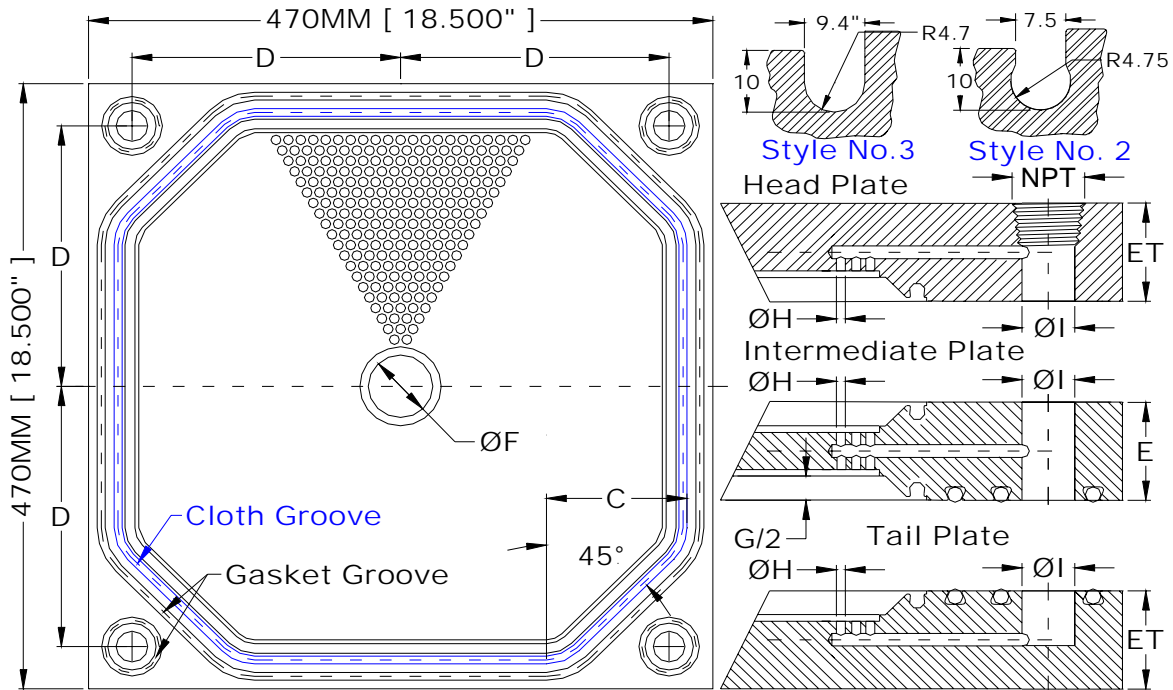
AFILTRATION.COM, INC.

Manufacturing Plastics Mold Specialist Filter Elements Division.
 2001 Zapata Street * Freeport, Texas 77541-3321
 TEL: (979) 239-1700 * FAX: (979) 239-1727
 www.afiltration.com * E-mail: sales@afiltration.com



(CGR) Cloth & Gasket Chamber Plate Filter Element

K0470-CGR-16-S0



Polypropylene molded chamber filter element with piped filtration area, Pip height 4 mm, pip diameter 8 mm, Approx. 68 % open filtration area, Operating pressure 16 bar, Various materials: please see type key Main Dimensions acc.

Aluminum 6061-T6 machine to chamber filter element with ribs filtration area, Ribs height 4 mm, Approx. 68 % open filtration area, Operating pressure 16 bar, Various materials: please see type key Main Dimensions acc.

V= Volume Area (Cu.Ft)

M= Plate Weight

A= Filtration Area (SQ.Ft)

Dimensions MM

Filter Cake	Support Bossed	Corner Pad	Discharge Holes	Thickness Plate		Feed Hole	Head Plate	Down Porting	Discharge Dia	Plate Weight	Filter Area	Volume Area
G/2	B	C	D	E	ET	F	NPT	H	I	M	A	V
mm	mm	mm	mm	mm	mm	mm	In	mm	mm	Kg	Ft ²	Ft ³
15		142.0	195.0	40	49	38-76	1.0"-1.5"	8.0	25-38	5.9	2.065	0.061
20		137.0	195.0	45	52	38-76	1.0"-1.5"	8.0	25-38	6.8	2.669	0.082
25		132.0	195.0	50	54	38-76	1.0"-1.5"	8.0	25-38	7.7	2.723	0.105
30		127.0	195.0	55	56	38-76	1.0"-1.5"	8.0	25-38	8.6	2.788	0.125
32		125.0	195.0	57	57	38-76	1.0"-1.5"	8.0	25-38	9.1	2.874	0.137
38		119.0	195.0	63	60	38-76	1.0"-1.5"	8.0	25-38	10.0	2.939	0.163

Dimensions Inch

Filter Cake	Support Bossed	Corner Pad	Discharge Holes	Thickness Plate		Feed Hole	Head Plate	Down Porting	Discharge Dia	Plate Weight	Filter Area	Volume Area
G/2	B	C	D	E	ET	F	NPT	H	I	M	A	V
Inch	Inch	Inch	Inch	Inch	Inch	Inch	Inch	Inch	Inch	Lbs	Ft ²	Ft ³
5/8"		5.591	7.677	1.575	1.929	1.5" - 3"	1.0"-1.5"	0.315	1.0"-1.5"	13.0	2.065	0.061
3/4"		5.394	7.677	1.772	2.028	1.5" - 3"	1.0"-1.5"	0.315	1.0"-1.5"	15.0	2.669	0.082
1"		5.197	7.677	1.969	2.106	1.5" - 3"	1.0"-1.5"	0.315	1.0"-1.5"	17.0	2.723	0.105
1 3/16"		5.000	7.677	2.165	2.205	1.5" - 3"	1.0"-1.5"	0.315	1.0"-1.5"	19.0	2.788	0.125
1 1/4"		4.921	7.677	2.244	2.244	1.5" - 3"	1.0"-1.5"	0.315	1.0"-1.5"	20.0	2.874	0.137
1 1/2"		4.685	7.677	2.480	2.362	1.5" - 3"	1.0"-1.5"	0.315	1.0"-1.5"	22.0	2.939	0.163