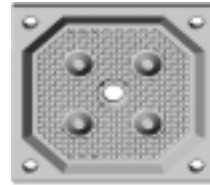




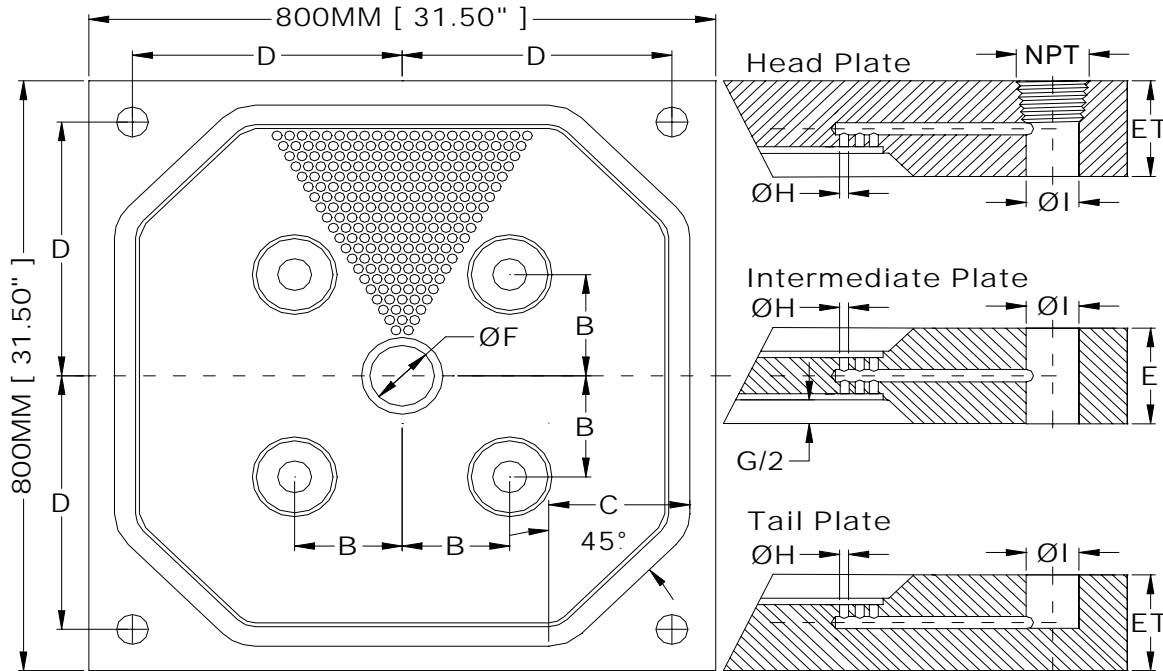
AFILTRATION.COM, INC.

Manufacturing Plastics Mold Specialist Filter Elements Division.
 2001 Zapata Street * Freeport, Texas 77541-3321
 TEL: (979) 239-1700 * FAX: (979) 239-1727
 www.afiltration.com * E-mail: sales@afiltration.com



(NG) None Gasket Chamber Plate Filter Element

K0800-NG-16-S4



Polypropylene molded chamber filter element with pipped filtration area, Pip height 4 mm, pip diameter 8 mm, Approx. 68 % open filtration area, Operating pressure 16 bar, Various materials: please see type key Main Dimensions acc.

Aluminum 6061-T6 machine to chamber filter element with ribs filtration area, Ribs height 4 mm, Approx. 68 % open filtration area, Operating pressure 16 bar, Various materials: please see type key Main Dimensions acc.

V= Volume Area (Cu.Ft)

M= Plate Weight

A= Filtration Area (SQ.Ft)

Dimensions MM

Filter Cake	Support Bossed	Corner Pad	Discharge Holes	Thickness Plate		Feed Hole	Head Plate	Down Porting	Discharge Dia	Plate Weight	Filter Area	Volume Area
G/2	B	C	D	E	ET	F	NPT	H	I	M	A	V
mm	mm	mm	mm	mm	mm	mm	In	mm	mm	Kg	Ft ²	Ft ³
15	124.0	129.0	335-350	40	49	38-114.3	1.0"-2.0"	8.0	25-51	16.8	10.280	0.243
20	124.0	131.0	335-350	45	52	38-114.3	1.0"-2.0"	8.0	25-51	18.1	10.344	0.323
25	124.0	133.0	335-350	50	54	38-114.3	1.0"-2.0"	8.0	25-51	19.5	10.409	0.403
30	124.0	135.0	335-350	55	56	38-114.3	1.0"-2.0"	8.0	25-51	20.9	10.463	0.481
32	124.0	136.0	335-350	57	57	38-114.3	1.0"-2.0"	8.0	25-51	21.3	10.484	0.512
38	124.0	142.0	335-350	63	60	38-114.3	1.0"-2.0"	8.0	25-51	22.7	10.559	0.603

Dimensions Inch

Filter Cake	Support Bossed	Corner Pad	Discharge Holes	Thickness Plate		Feed Hole	Head Plate	Down Porting	Discharge Dia	Plate Weight	Filter Area	Volume Area
G/2	B	C	D	E	ET	F	NPT	H	I	M	A	V
Inch	Inch	Inch	Inch	Inch	Inch	Inch	Inch	Inch	Inch	lbs	Ft ²	Ft ³
5/8"	4.882	5.079	13.188-13.779	1.575	1.929	1.5" - 4.5"	1.0"-2.0"	0.315	1.0"-2.0"	37.0	10.280	0.243
3/4"	4.882	5.157	13.188-13.779	1.772	2.028	1.5" - 4.5"	1.0"-2.0"	0.315	1.0"-2.0"	40.0	10.344	0.323
1"	4.882	5.236	13.188-13.779	1.969	2.106	1.5" - 4.5"	1.0"-2.0"	0.315	1.0"-2.0"	43.0	10.409	0.403
1 3/16"	4.882	5.315	13.188-13.779	2.165	2.205	1.5" - 4.5"	1.0"-2.0"	0.315	1.0"-2.0"	46.0	10.463	0.481
1 1/4"	4.882	5.354	13.188-13.779	2.244	2.244	1.5" - 4.5"	1.0"-2.0"	0.315	1.0"-2.0"	47.0	10.484	0.512
1 1/2"	4.882	5.591	13.188-13.779	2.480	2.362	1.5" - 4.5"	1.0"-2.0"	0.315	1.0"-2.0"	50.0	10.559	0.603