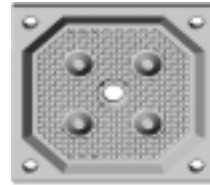




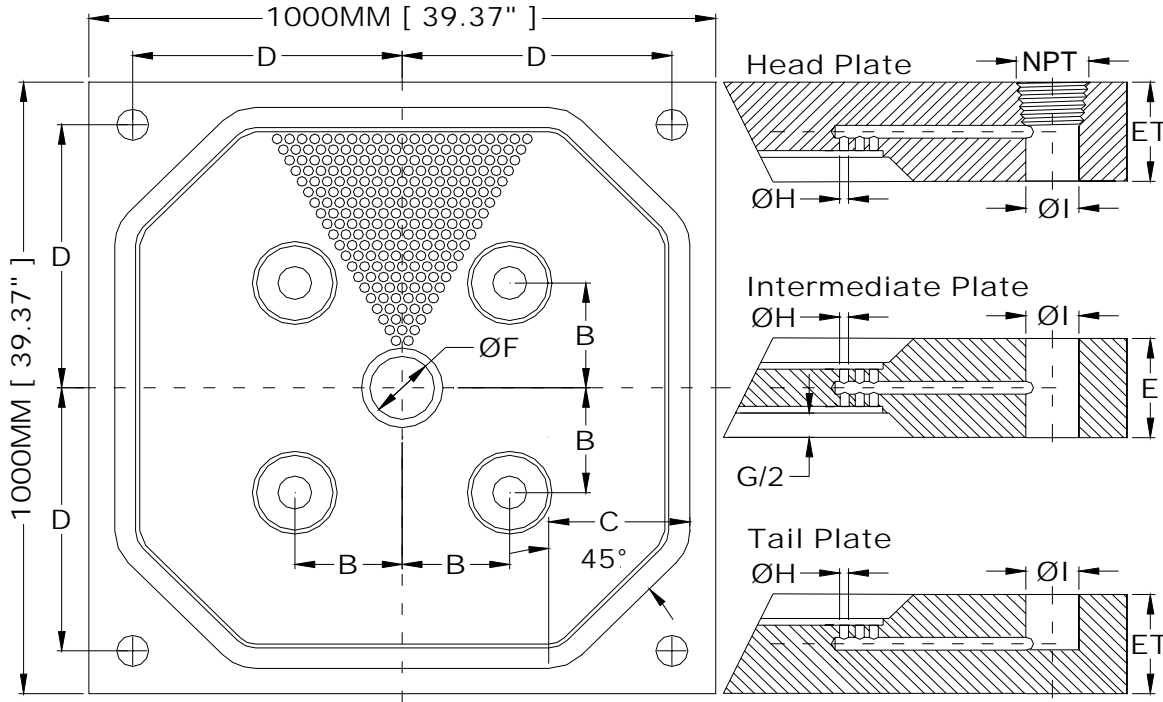
AFILTRATION.COM, INC.

Manufacturing Plastics Mold Specialist Filter Elements Division.
 2001 Zapata Street * Freeport, Texas 77541-3321
 TEL: (979) 239-1700 * FAX: (979) 239-1727
 www.afiltration.com * E-mail: sales@afiltration.com



(NG) None Gasket Chamber Plate Filter Element

K1000-NG-16-S4



Polypropylene molded chamber filter element with pipped filtration area, Pip height 4 mm, pip diameter 8 mm, Approx. 68 % open filtration area, Operating pressure 16 bar, Various materials: please see type key Main Dimensions acc.

Aluminum 6061-T6 machine to chamber filter element with ribs filtration area, Ribs height 4 mm, Approx. 68 % open filtration area, Operating pressure 16 bar, Various materials: please see type key Main Dimensions acc.

V= Volume Area (Cu.Ft) M= Plate Weight A= Filtration Area (SQ.Ft)

Dimensions MM

Filter Cake	Support Bossed	Corner Pad	Discharge Holes	Thickness		Feed Hole	Head Plate	Down Porting	Discharge Dia	Plate Weight	Filter Area	Volume Area
G/2	B	C	D	E	ET	F	NPT	H	I	M	A	V
mm	mm	mm	mm	mm	mm	mm	In	mm	mm	Kg	Ft ²	Ft ³
15	156.0	169.0	432-443	40	49	38-127	1.00-2.50	8.0	25-63	26.3	16.210	0.388
20	156.0	164.0	432-443	45	52	38-127	1.00-2.50	8.0	25-63	27.7	16.275	0.516
25	156.0	159.0	432-443	50	54	38-127	1.00-2.50	8.0	25-63	29.0	16.350	0.642
30	156.0	154.0	432-443	55	56	38-127	1.00-2.50	8.0	25-63	30.4	16.415	0.768
32	156.0	152.0	432-443	57	57	38-127	1.00-2.50	8.0	25-63	30.8	16.447	0.818
38	156.0	146.0	432-443	63	60	38-127	1.00-2.50	8.0	25-63	32.2	16.523	0.966

Dimensions Inch

Filter Cake	Support Bossed	Corner Pad	Discharge Holes	Thickness		Feed Hole	Head Plate	Down Porting	Discharge Dia	Plate Weight	Filter Area	Volume Area
G/2	B	C	D	E	ET	F	NPT	H	I	M	A	V
Inch	Inch	Inch	Inch	Inch	Inch	Inch	Inch	Inch	Inch	Lbs	Ft ²	Ft ³
5/8"	6.142	6.654	17.00-17.44	1.575	1.929	1.50 - 5.00	1.00-2.50	0.315	1.00-2.50	58.0	16.210	0.388
3/4"	6.142	6.457	17.00-17.44	1.772	2.028	1.50 - 5.00	1.00-2.50	0.315	1.00-2.50	61.0	16.275	0.516
1"	6.142	6.260	17.00-17.44	1.969	2.106	1.50 - 5.00	1.00-2.50	0.315	1.00-2.50	64.0	16.350	0.642
1 3/16"	6.142	6.063	17.00-17.44	2.165	2.205	1.50 - 5.00	1.00-2.50	0.315	1.00-2.50	67.0	16.415	0.768
1 1/4"	6.142	5.984	17.00-17.44	2.244	2.244	1.50 - 5.00	1.00-2.50	0.315	1.00-2.50	68.0	16.447	0.818
1 1/2"	6.142	5.748	17.00-17.44	2.480	2.362	1.50 - 5.00	1.00-2.50	0.315	1.00-2.50	71.0	16.523	0.966