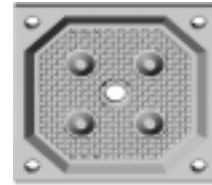




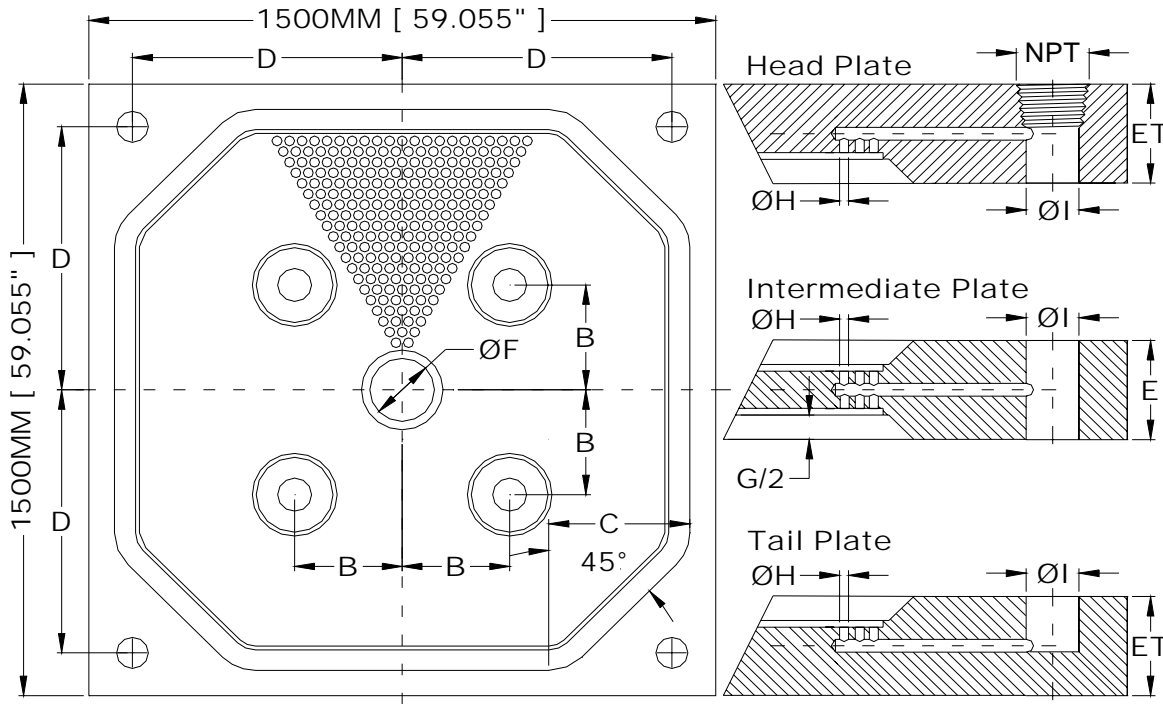
AFILTRATION.COM, INC.

Manufacturing Plastics Mold Specialist Filter Elements Division.
 2001 Zapata Street * Freeport, Texas 77541-3321
 TEL: (979) 239-1700 * FAX: (979) 239-1727
 www.afiltration.com * E-mail: sales@afiltration.com



(NG) None Gasket Chamber Plate Filter Element

K1500-NG-16-S4



Polypropylene molded chamber filter element with piped filtration area, Pip height 4 mm, pip diameter 8 mm, Approx. 68 % open filtration area, Operating pressure 16 bar, Various materials: please see type key Main Dimensions acc.

Aluminum 6061-T6 machine to chamber filter element with ribs filtration area, Ribs height 4 mm, Approx. 68 % open filtration area, Operating pressure 16 bar, Various materials: please see type key Main Dimensions acc.

V= Volume Area (Cu.Ft)

M= Plate Weight

A= Filtration Area (SQ.Ft)

Dimensions MM

Filter Cake	Support Bossed	Corner Pad	Discharge Holes	Thickness Plate		Feed Hole	Head Plate	Down Porting	Discharge Dia	Plate Weight	Filter Area	Volume Area
G/2	B	C	D	E	ET	F	NPT	H	I	M	A	V
mm	mm	mm	mm	mm	mm	mm	In	mm	mm	Kg	Ft ²	Ft ³
15	228.0	158.0	650-665	45	54	76.2-152.4	2.00-3.00	8.0	51-76	72.6	40.440	0.978
20	228.0	163.0	650-665	50	57	76.2-152.4	2.00-3.00	8.0	51-76	74.8	40.505	1.301
25	228.0	168.0	650-665	55	59	76.2-152.4	2.00-3.00	8.0	51-76	77.1	40.591	1.622
30	228.0	172.0	650-665	60	61	76.2-152.4	2.00-3.00	8.0	51-76	79.4	40.677	1.942
32	228.0	174.0	650-665	62	62	76.2-152.4	2.00-3.00	8.0	51-76	80.3	40.709	2.069
38	228.0	180.0	650-665	68	65	76.2-152.4	2.00-3.00	8.0	51-76	82.5	40.795	2.448

Dimensions Inch

Filter Cake	Support Bossed	Corner Pad	Discharge Holes	Thickness Plate		Feed Hole	Head Plate	Down Porting	Discharge Dia	Plate Weight	Filter Area	Volume Area
G/2	B	C	D	E	ET	F	NPT	H	I	M	A	V
Inch	Inch	Inch	Inch	Inch	Inch	Inch	Inch	Inch	Inch	Lbs	Ft ²	Ft ³
5/8"	8.976	6.220	25.590-26.181	1.772	2.126	3.00-6.00	2.00-3.00	0.315	2.00-3.00	160.0	40.440	0.978
3/4"	8.976	6.417	25.590-26.181	1.969	2.244	3.00-6.00	2.00-3.00	0.315	2.00-3.00	165.0	40.505	1.301
1"	8.976	6.614	25.590-26.181	2.165	2.323	3.00-6.00	2.00-3.00	0.315	2.00-3.00	170.0	40.591	1.622
1 3/16"	8.976	6.772	25.590-26.181	2.362	2.402	3.00-6.00	2.00-3.00	0.315	2.00-3.00	175.0	40.677	1.942
1 1/4"	8.976	6.850	25.590-26.181	2.441	2.441	3.00-6.00	2.00-3.00	0.315	2.00-3.00	177.0	40.709	2.069
1 1/2"	8.976	7.087	25.590-26.181	2.677	2.559	3.00-6.00	2.00-3.00	0.315	2.00-3.00	182.0	40.795	2.448